

(FWE-INPOD) **IndustriPOD**
USER INSTRUCTIONS

The IndustriPOD® is a heavy duty, versatile and durable tripod that exceeds the criteria of most international standards. It has built in safety factors equivalent to internationally recognised rescue systems. Its unique design and simplicity makes it ideal for any heavy duty confined space requirement where guaranteed performance is mandatory.

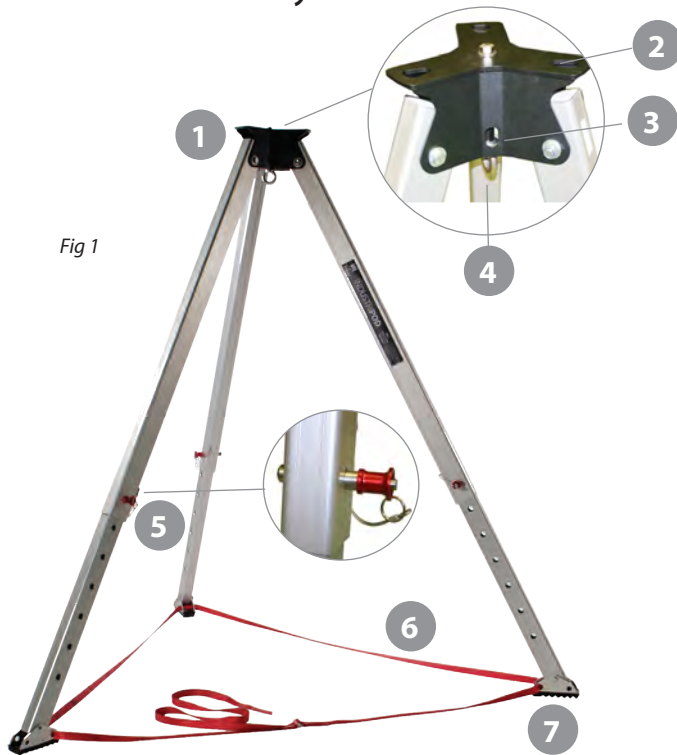


Fig 1

TRIPOD PARTS IDENTIFIER

- 1 Tripod Head
- 2 Stabilisation Point (3)
- 3 Side Plate Attachment Point (3)
- 4 Eyebolt (1)
- 5 Leg Pin (3)
- 6 Adjustable Foot Tether (1)
- 7 Tripod Feet (3)

TECHNICAL SPECIFICATIONS

WEIGHT	23 kgs
OVERALL HEIGHT	2465 mm extended, 1650 mm collapsed
FOOT PRINT	2185 mm inside diameter of feet
CONSTRUCTION	Steel, aluminium and stainless steel
SWL	550 kg off centre eyebolt 360 kg off side plate attachment points
RATING	2 Person rescue - 1 Person working
TRIPOD SUPPLIED WITH	1 x Adjustable Foot Tether sling 3 x Leg Pins

OPTIONAL ACCESSORIES

36-1019	IndustriPOD® Bag
16-1046-0	Hold-down Stake
07-1026-0	Step
90-0119	Equipment Bracket
APOD-W10/W20/W25	10m/20m/25m Winch & Mount - 6mm cable
APOD-FA	15m Type 3 Fall Arrestor & Mount

FEATURES

- Rectangular fully adjustable legs with quick action ball lock leg pins
- One piece fabricated steel head
- Adjustable feet with aggressive non-slip tread pattern
- One swivel eyebolt
- Three karabiner attachment points
- Three tie-off points for rigging or stabilisation



WARNING

Activities conducted at height can be dangerous resulting in injury or death. Do not use this device unless you have:

1. Read and understood the User's Instructions
2. Received appropriate training
3. Ensured a competent person has conducted a risk assessment for the specific task
4. Carried out a preoperational check of the tripod, associated hardware and rigging before each use
5. Accepted total responsibility for your safety, and all risk assessments are completed.

These instructions are not intended as a substitute for appropriate training. Training, practice and experience in technical rigging are essential for safe use.

Operator Responsibility

The product liability of the manufacturer does not cover damage to property or body injuries which may occur as a result of improper use or function. It is the responsibility of the operator/s to ensure the correct personal protective equipment (PPE) is used when operating the unit. The manufacturer is not liable for the correct or incorrect use of PPE. Any modifications to the product or disregarding the Operator Instructions or safety rules voids any liability extended towards the manufacturer.

TRIPOD ASSEMBLY

This operation should be performed by two people.

1. Stand IndustriPOD upright with legs together (Fig 2)



Fig 2

2. Extend leg lengths to achieve the desired Head height. **To extend legs:**

- a. Remove the leg pins from each leg by depressing the pin release button at the head of the pin. (Fig 3)



Fig 3

- b. When legs are at required height, align the holes on the leg sections and re-insert the leg pins.
3. With assistance, carefully move the tripod to the desired location and open the three legs to maximum width ensuring the feet are correctly placed as shown in Figure 1 on front page.
 4. Double check the leg pins are locked in place and the tripod is at the correct height.

WARNING: DO NOT attempt to erect IndustriPOD® over an open hole. Erect IndustriPOD® away from the hole and move it into the required position once legs have been extended and locked in to place with leg pins.

5. Thread the leg tether strap through each leg foot of the IndustriPOD®. (Fig 4)



Fig 4

6. When foot tether is threaded through all feet holes of the IndustriPOD®, feed the tail end of the foot tether sling through the buckle and tighten, ensuring there is no slack in the tether. (Fig 5)

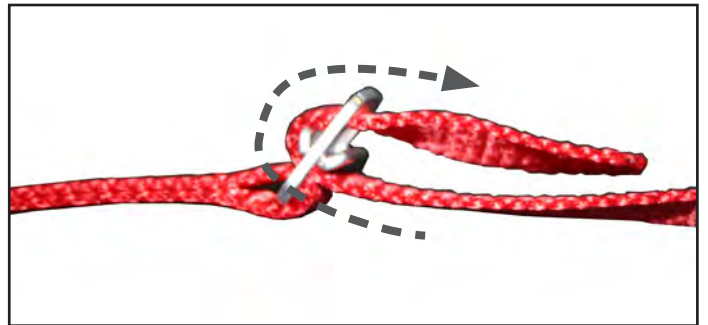


Fig 5

